

**10
Year**

Display Solutions

Colors Available

*Made of Indestructible Plastic
USDA / FDA Approved*

WARRANTY

Stair Steps

2 Step: 362424-2

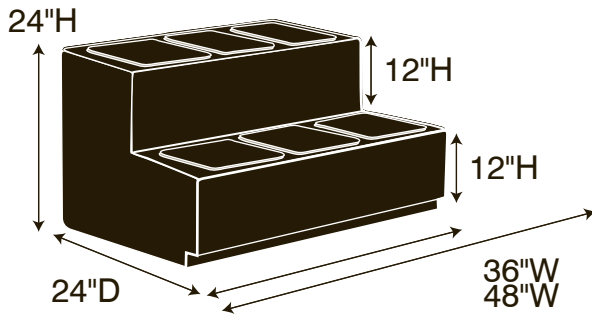
36"W x 24"D x 24"H wt. cap.: 1200 lbs.

2 Step: 482424-2

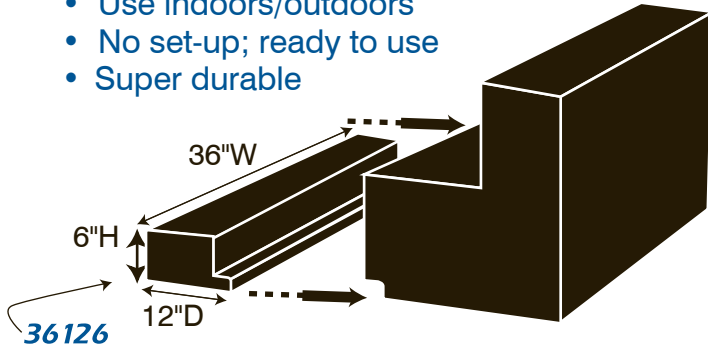
48"W x 24"D x 24"H wt. cap.: 1500 lbs.

3 Step: 483636-3

48"W x 36"D x 36"H wt. cap.: 1500 lbs.

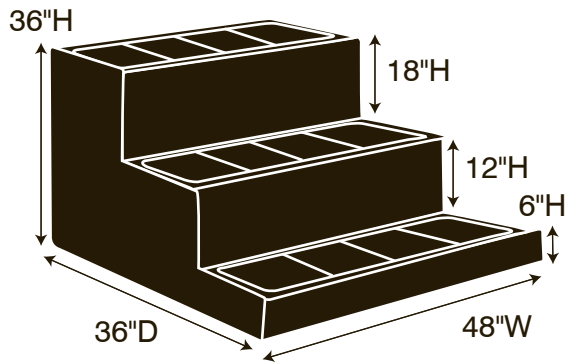


- One piece molded construction
- Use indoors/outdoors
- No set-up; ready to use
- Super durable



36126
Optional solid front platform

- Use with 2 Step, Model No. 362424



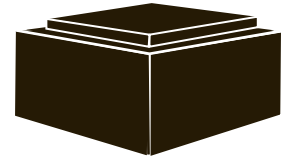
Floral Cubes

2 Heights

Wt. Cap.: 100 lbs.

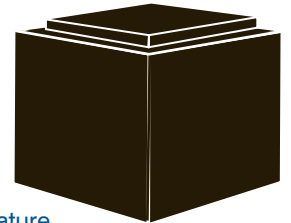
FC-12126-SB

12"W x 12"D x 6"H



FC-121212-SB

12"W x 12"D x 12"H

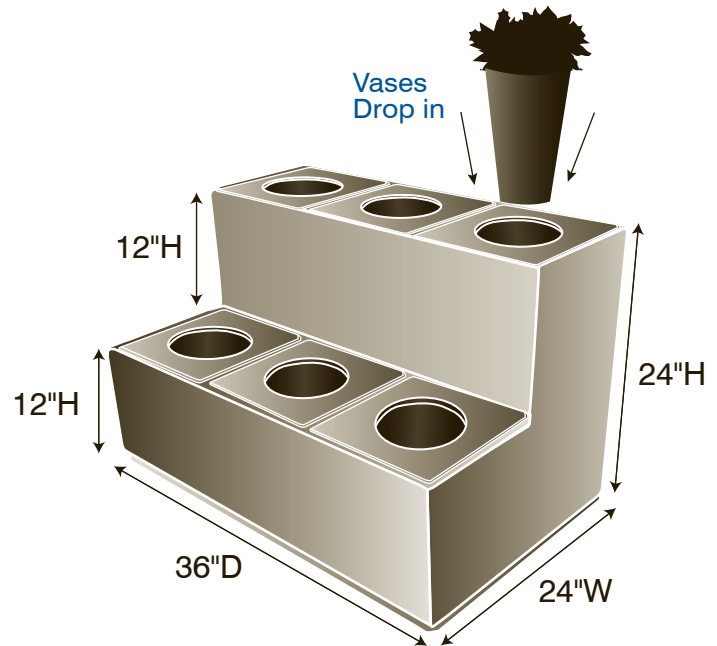


- Molded-in stocking / nesting feature
- Easy to handle – lightweight
- Extra heavy duty
- Also available as open bottom - Models FC-12126-OB, FC-121212-OB

Floral Stair Step

FL-2 Step

24" W x 36" D x 24" H



MASONWAYS™

INDESTRUCTIBLE PLASTICS LLC

Manufactured in a Plant near you: California, Georgia, Indiana, Oregon and Canada

www.masonways.com

800-837-2881

800-693-7745 FAX

