



Various Heights  
Pallet jack/forkliftable

Colors Available

**WARRANTY**

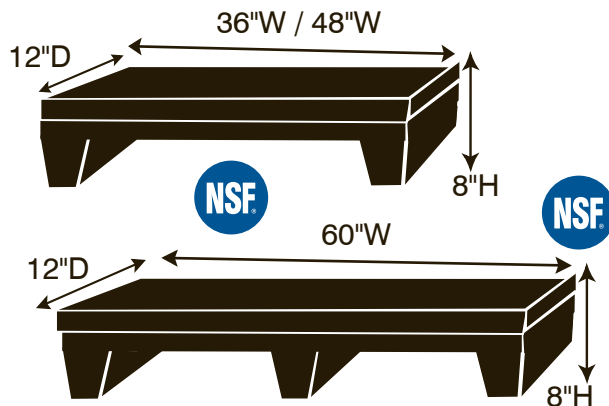
Made of Indestructible Plastic  
USDA / FDA Approved

**OVER 80 BASE SIZES TO CHOOSE FROM!**

**Slim Jim**

**Solid Top Narrow Racks**

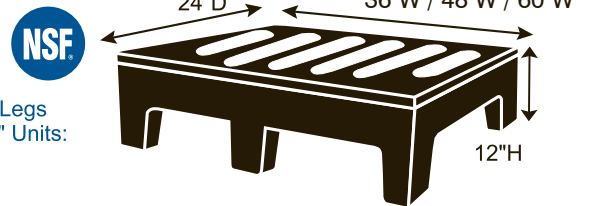
- 36128SJ** 36" W x 12" D x 8" H / Wt. Cap.: 750 lbs. / 4 legs
- 48128SJ** 48" W x 12" D x 8" H / Wt. Cap.: 1000 lbs. / 4 legs
- 60128SJ** 60" W x 12" D x 8" H / Wt. Cap.: 1200 lbs. / 6 legs



**Spectrum**

**Extra Heavy Duty**

- DUN 2436** 36"W x 24"D x 12"H / Wt. Cap.: 1500 lbs
- DUN 2448** 48"W x 24"D x 12"H / Wt. Cap.: 2000 lbs
- DUN 2460** 60"W x 24"D x 12"H / Wt. Cap.: 3000 lbs

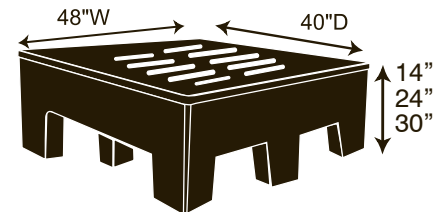


**HighBoy**

**Table-top Merchandiser**

- 484014 HD** 48" W x 40" D x 14" H / Wt. Cap.: 2000 lbs.
- 483624 HD** 48" W x 36" D x 24" H / Wt. Cap.: 2000 lbs.
- 484024 HD** 48" W x 40" D x 24" H / Wt. Cap.: 2000 lbs.
- 484030 HD** 48" W x 40" D x 30" H / Wt. Cap.: 3000 lbs.

- Extra heavy duty
- Oversize 7th leg in center for extra strength

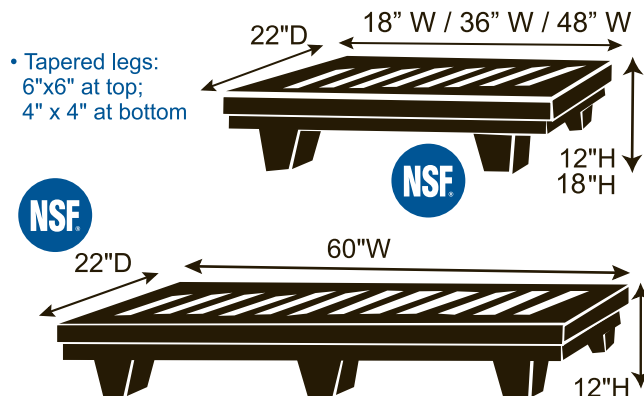


**Econ-o-Dun**

**Dunnage Racks**

**Lowest Price!**

- 182212 EC** 18" W x 22" D x 12" H / Wt. Cap.: 750 lbs
- 362212 EC** 36" W x 22" D x 12" H / Wt. Cap.: 1000 lbs
- 482212 EC** 48" W x 22" D x 12" H / Wt. Cap.: 1200 lbs
- 482218 EC** 48" W x 22" D x 18" H / Wt. Cap.: 1200 lbs
- 602212 EC** 60" W x 22" D x 12" H / Wt. Cap.: 1500 lbs



**PolyMight**

**603012 HD**

**60"W x 30"D x 12"H**

Wt. Cap.: 2500 lbs.

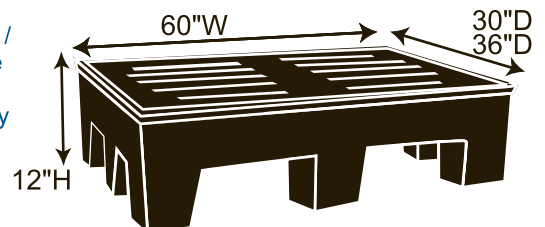
**PolyMight**

**603612 HD**

**60"W x 36"D x 12"H**

Wt. Cap.: 2500 lbs.

- Pallet jack / forkliftable
- Extra heavy duty
- 9 Legs



**MASONWAYS™**

**INDESTRUCTIBLE PLASTICS LLC**

Manufactured in a Plant near you: California, Georgia, Indiana, Oregon and Canada

[www.masonways.com](http://www.masonways.com)

800-837-2881

800-693-7745 FAX

