

10
Year

Complete End Cap /
Island Display / Bins / Signs

Colors
Available

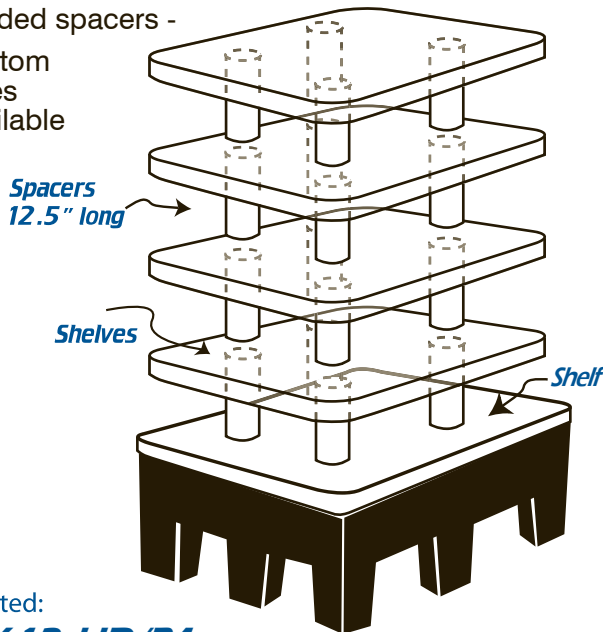
Made of Indestructible Plastic
USDA / FDA Approved

WARRANTY

Complete Bulk Display

**Build your own display!
Shelves and Spacers Included!**

- Ships knocked down
- Easy to assemble
- No tools required
- Durable shelves and molded spacers - Custom Sizes Available



Illustrated:
483612 HD/P4
48" W x 36" D x 12" H base

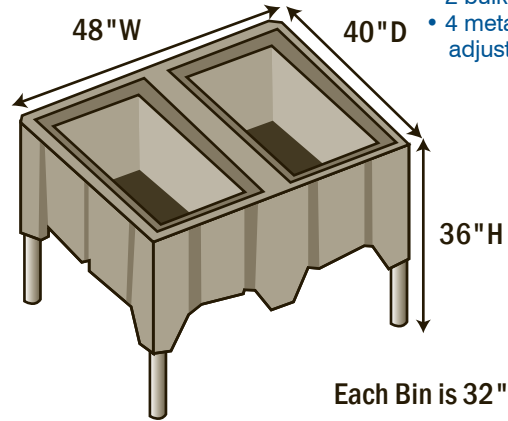
8 SIZES

Model No.	Size
481812 HD/P4	48"W x 18"D x 12"H
362412 HD/P4	36"W x 24"D x 12"H
482412 HD/P4	48"W x 24"D x 12"H
602412 HD/P4	60"W x 24"D x 12"H
483612 HD/P4	48"W x 36"D x 12"H
484014 HD/P4	48"W x 40"D x 14"H
603012 HD/P4	60"W x 30"D x 12"H
603612 HD/P4	60"W x 36"D x 12"H

484036 BB

48"W x 40"D x 36"H
Wt. Cap.: 750 lbs.

Bulk Bin



- 2 bulk bins
- 4 metal legs with adjustable glides

Each Bin is 32" W x 17" L x 7" D

814830 LS

48"W x 30"D x 81"H

Outdoor Sign

- Poster Size 64" x 44"
- 2 Signs – 2 Sides
- Easy to Change Out Signs
- Weighted Base
- Tie Down Anchor Kit
- Will Not Rust



MASONWAYS™
INDESTRUCTIBLE PLASTICS LLC
Manufactured in a Plant near you: California, Georgia, Indiana,
Oregon and Canada

www.masonways.com

800-837-2881
800-693-7745 FAX

